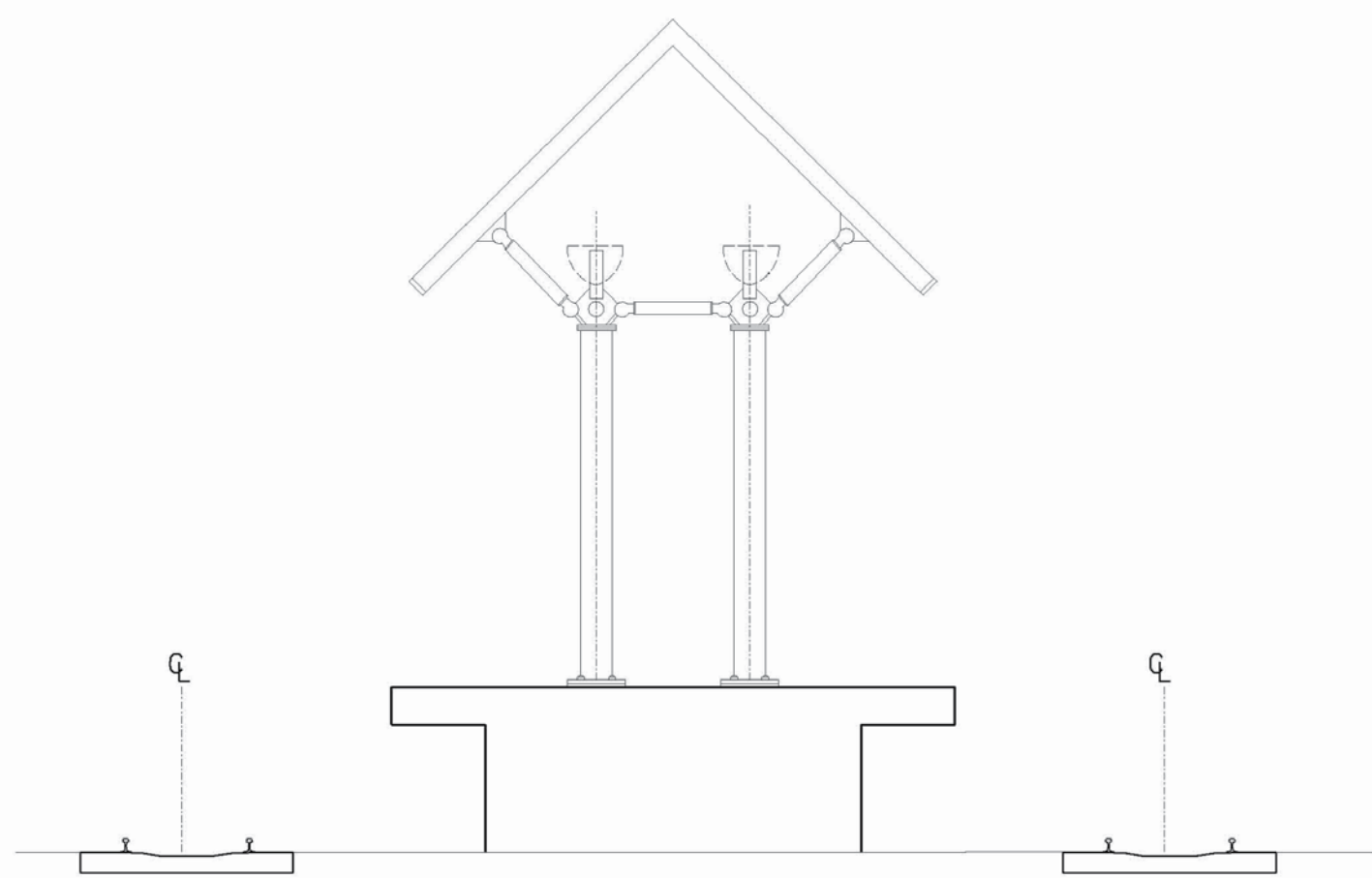
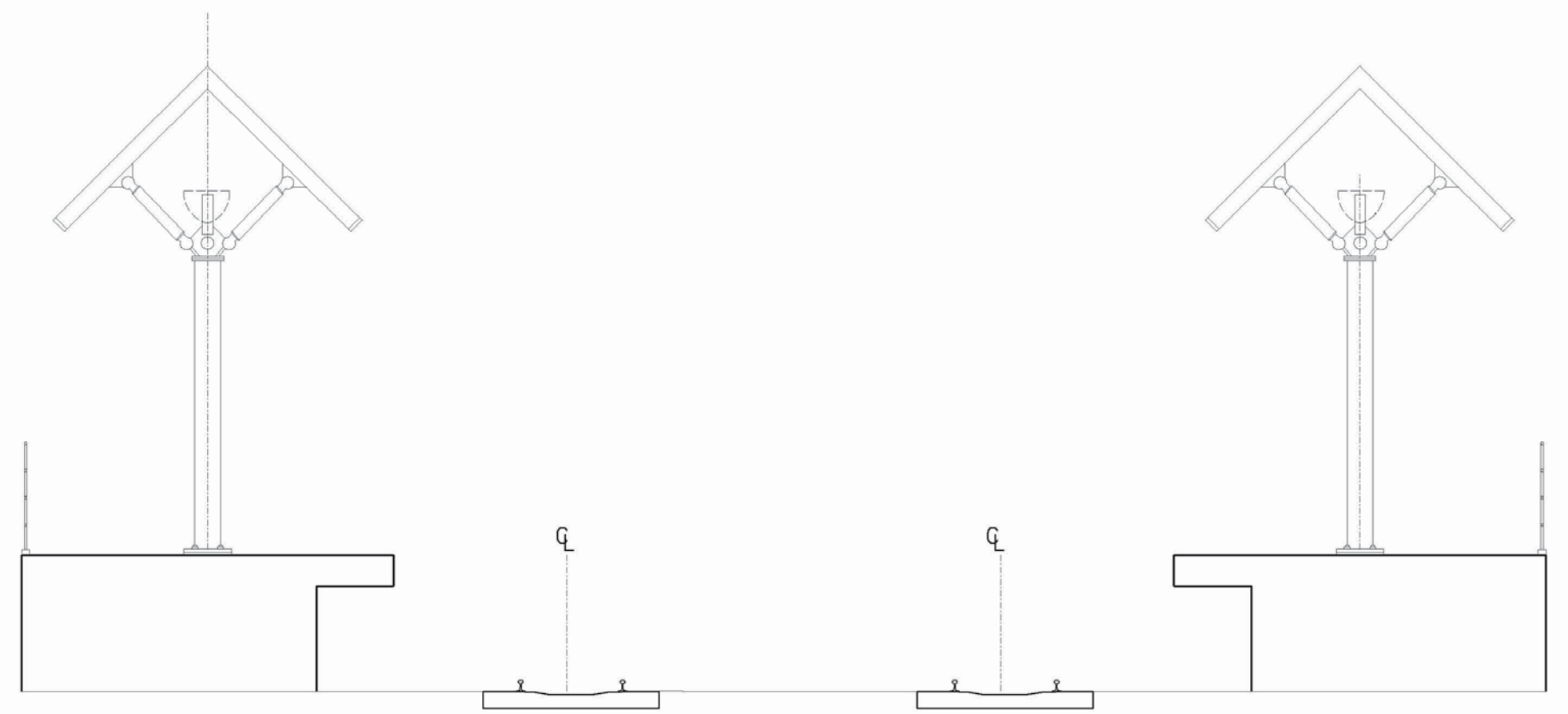


Northern Branch Corridor

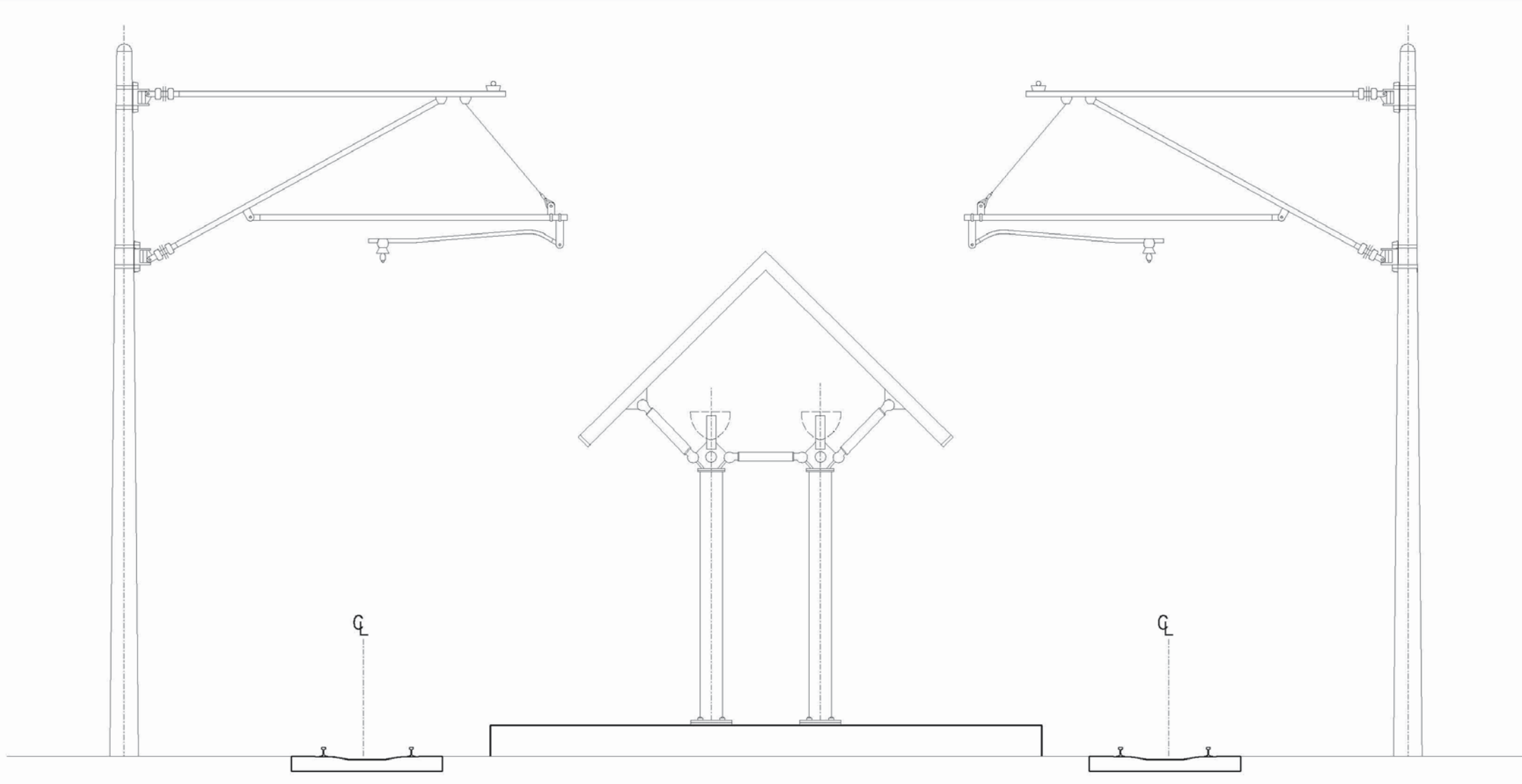
TYPICAL SECTIONS



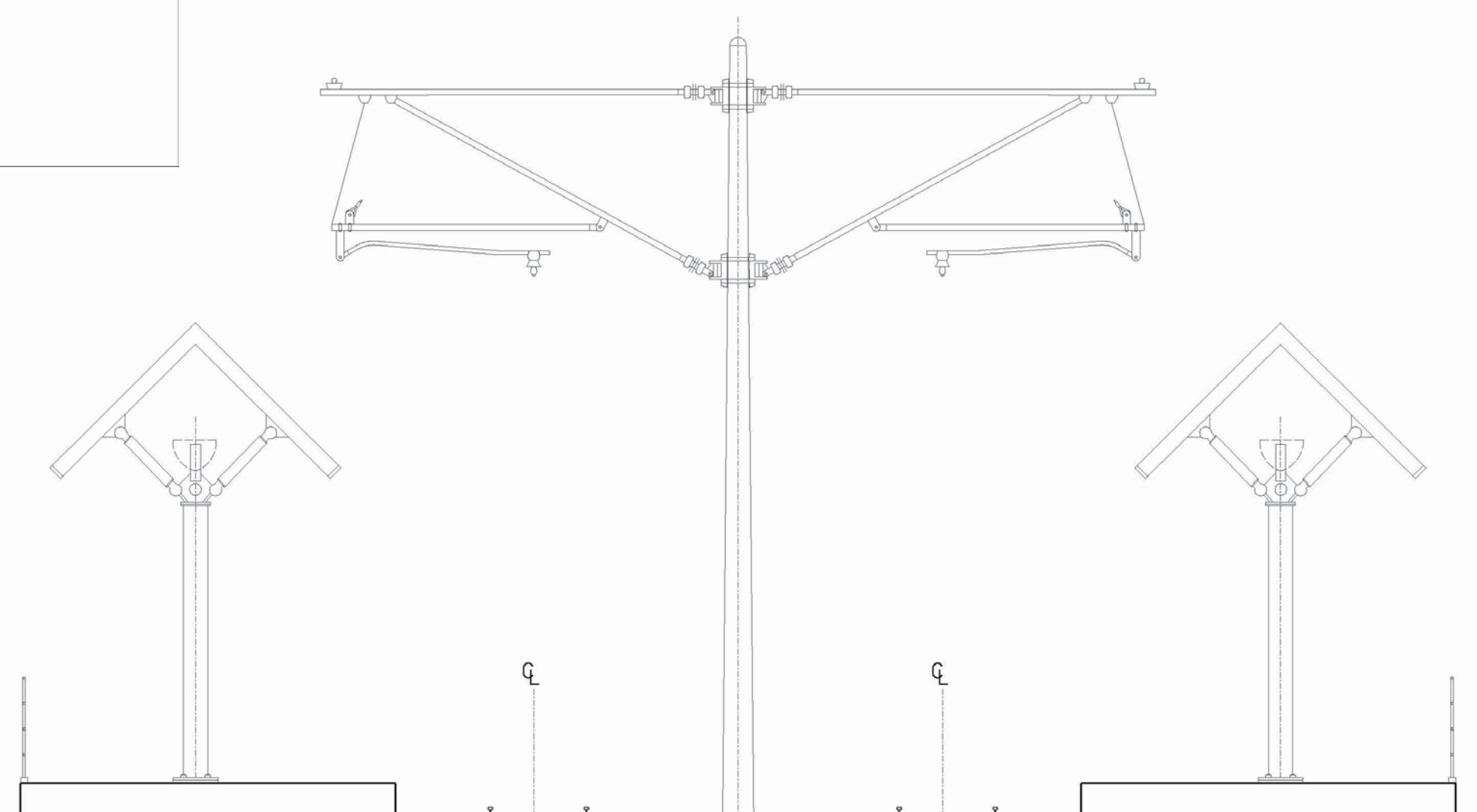
CENTER HIGH – LEVEL PLATFORM
FOR
DMU SERVICE
0 5' 10'
SCALE IN FEET



SIDE HIGH – LEVEL PLATFORM
FOR
DMU SERVICE
0 5' 10'
SCALE IN FEET



CENTER LOW – LEVEL PLATFORM
FOR
LRT SERVICE
0 5' 10'
SCALE IN FEET



SIDE LOW – LEVEL PLATFORM
FOR
LRT SERVICE
0 5' 10'
SCALE IN FEET